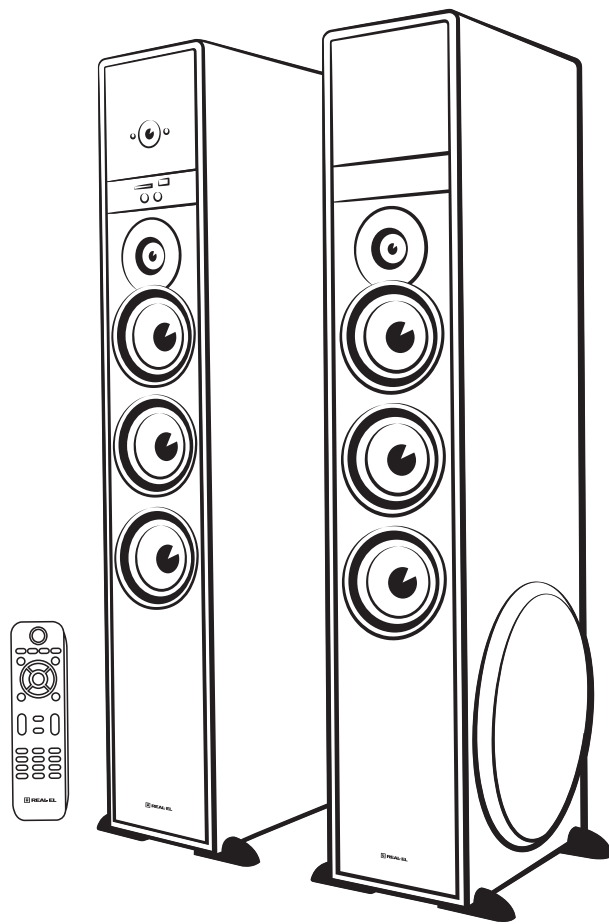




## OPERATION MANUAL



2.0 HOME THEATER  
SPEAKER SYSTEM

**S-2070**

## ***Congratulations on your purchase of the REAL-EL speaker system!***

### **COPYRIGHT**

© 2022. ENEL GROUP OU.

This Manual and information contained in are copyrighted. All rights reserved.

### **TRADEMARKS**

All trademarks are the property of their legal holders.

### **CONTENTS**

<b>1. BUYER RECOMMENDATIONS .....</b>	<b>1</b>
<b>2. PACKAGE CONTENTS .....</b>	<b>1</b>
<b>3. SAFETY PRECAUTIONS .....</b>	<b>2</b>
<b>4. TECHNICAL DESCRIPTION .....</b>	<b>2</b>
<b>5. CONNECTION AND OPERATION .....</b>	<b>5</b>
<b>6. TECHNICAL SPECIFICATIONS .....</b>	<b>6</b>

### **1. BUYER RECOMMENDATIONS**

- Unpack the device carefully. Make sure there are no accessories left in the box. Check up the device for damage; if the product was damaged during transportation, address the firm, which carried out the delivery; if the product functions incorrectly, address the dealer at once.
- Check up the package contents and availability of the warranty card.
- Do not switch on the speaker system immediately after you bring it into a room from environment with negative temperature! After unpacking, the speaker system should be kept in conditions of room temperature for at least 4 hours.
- Before installing and using the speaker system, read this Manual carefully and keep it for future reference.

### **2. PACKAGE CONTENTS**

- Speaker active - 1 pc
- Speaker passive - 1 pc
- Remote control (RC) - 1 pc
- Signal cable - 1 pc
- Mounting feet - 1 pc
- User manual - 1 pc
- Warranty card - 1 pc

### 3. SAFETY PRECAUTIONS

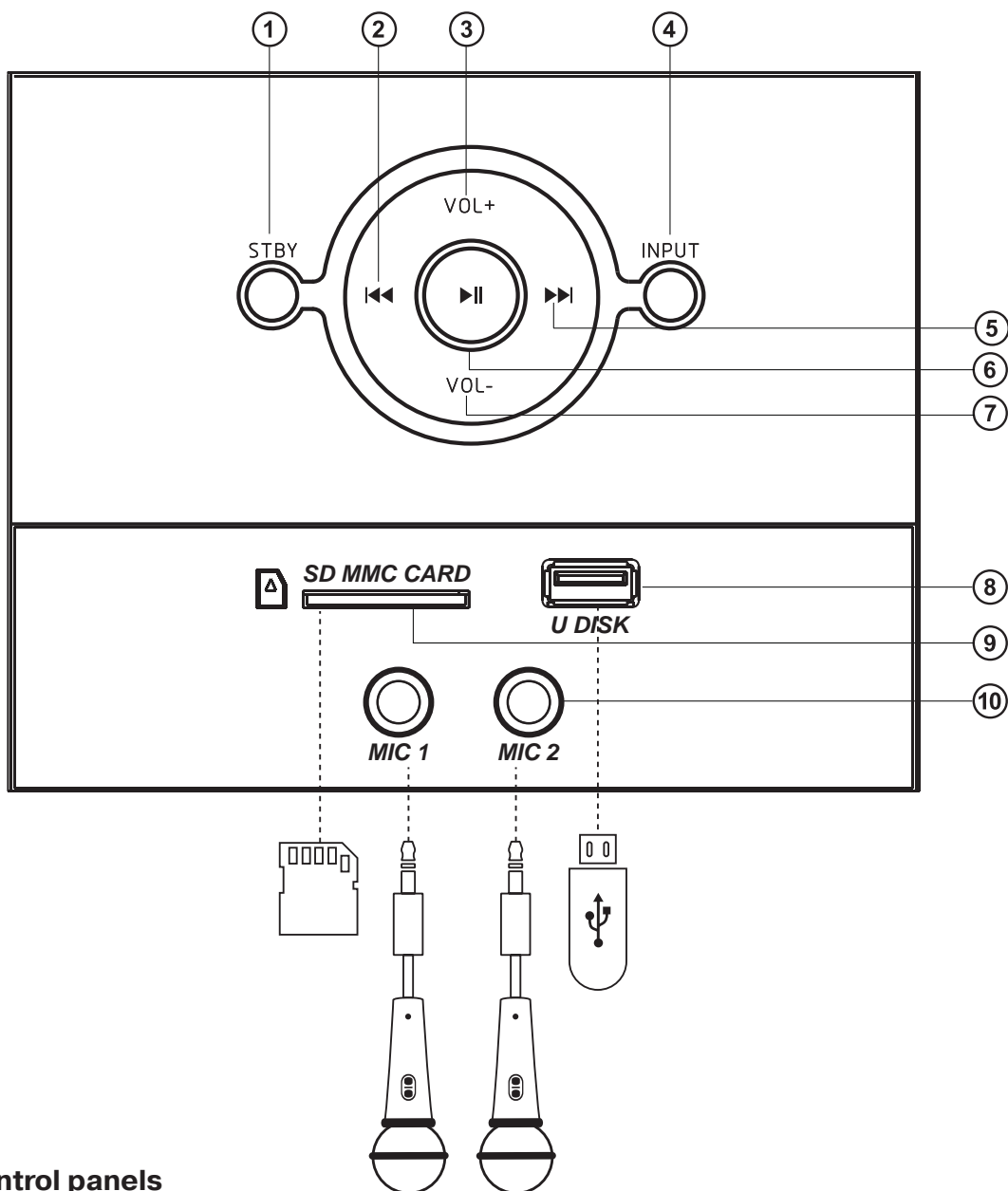
- Do not open Multimedia Speaker System (MSS) and do not perform repairs by yourself. Service and repairs should be performed by qualified specialists in an authorized service center only. The list of authorized service centers is available at [www.real-el.com](http://www.real-el.com)
- Do not put foreign objects inside the holes of the MSS.
- Protect the MSS from high humidity, water and dust.
- Protect the MSS from heating: do not place it closer heat source. Do not expose it to direct sunlight.
- Do not place any open flame sources on or close to MSS.
- Do not use any chemical agents for cleaning. Clean it with dry soft cloth only.
- In case of MSS does not work properly, power cable must be disconnected. Please contact place of purchase or service center.

### 4. TECHNICAL DESCRIPTION

REAL-EL S-2070 Multimedia Speaker System (MSS) is designed to play music and sound games, movies, etc. The MSS enabling to connect to virtual to any audio source without using an additional power amplifier. The MSS has a built-in, Bluetooth module and audio files player USB flash.

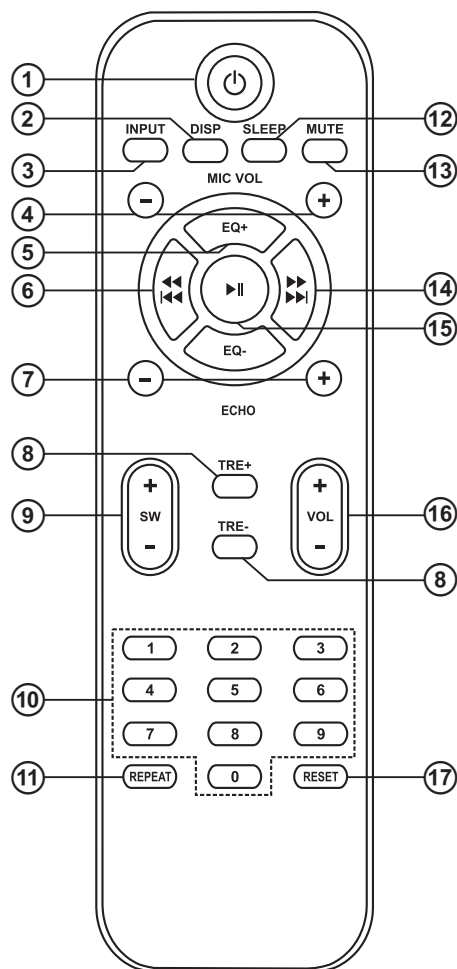
#### Special features

- 3-Way Speaker system
- Stereo Bi-amping design for high quality sound
- Perfectly connection with TV
- Optimized crossover
- High quality speaker drivers
- Built-in Karaoke function
- Two microphone inputs for Karaoke
- Equalizer adjustment
- Audio playback via Bluetooth
- Built-in player USB / SD and AUX input
- Full function remote control



**Control panels**

- ① STBY: On/Off standby mode
- ② ►► : previous track (in the Player and Bluetooth mode)
- ③ VOL+: volume increase button
- ④ INPUT : selection of input signal / operating mode
- ⑤ ◀◀ : next track (in the Player and Bluetooth mode)
- ⑥ ►| : Play/Pause
- ⑦ VOL-: volume decrease button
- ⑧ USB: port for a USB flash device
- ⑨ SD CARD: slot for SD/MMC cards
- ⑩ MIC: mic input 1/4" (6.35 mm)



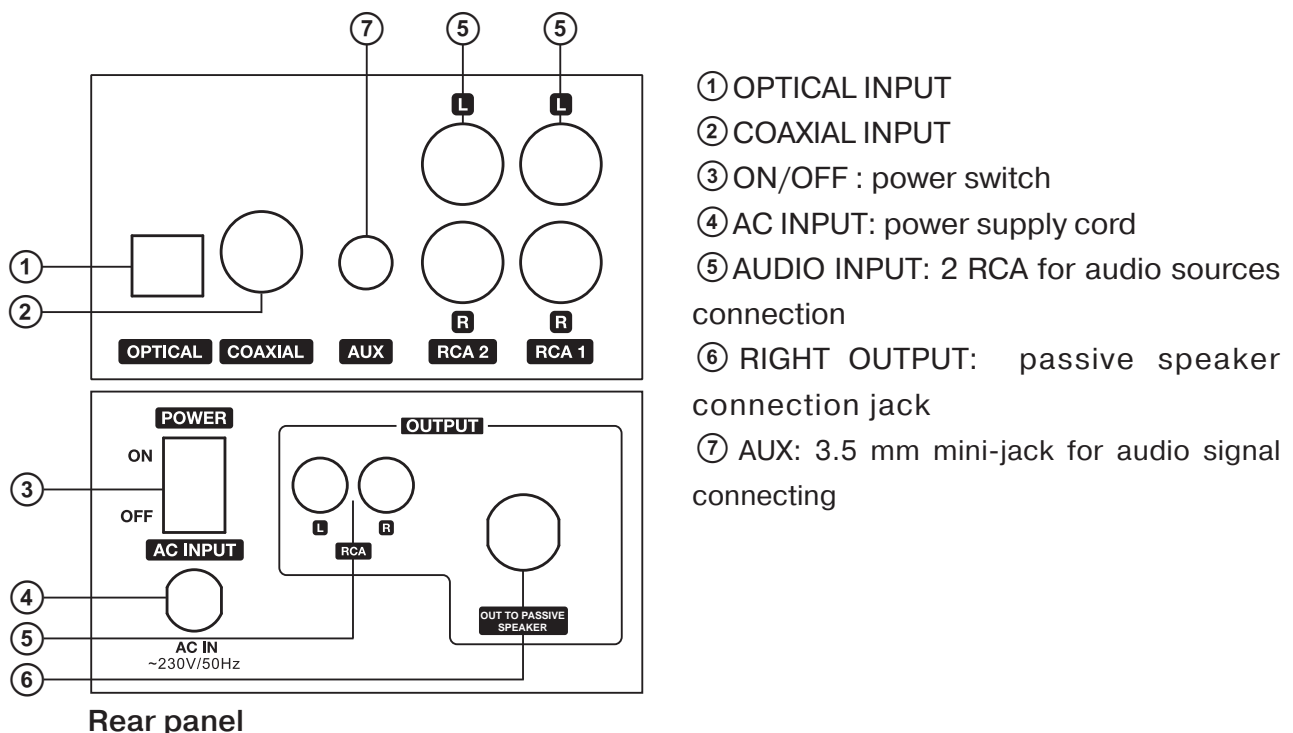
**Remote control**

- ① STBY: On/Off standby mode
- ② DISP: backlight brightness adjustment
- ③ INPUT: selection of input signal / operating mode
- ④ MIC VOL +/-: microphone volume control
- ⑤ EQ: equalizer settings
- ⑥ ◀◀: previous track / scroll back in USB / SD / Bluetooth mode
- ⑦ ECHO +/-: echo level adjustment
- ⑧ TRE +/-: high frequency level adjustment
- ⑨ SW +/-: subwoofer level adjustment
- ⑩ 0-9: numeric pad for entering track number
- ⑪ REPEAT: a pressing once - repeat the current track  
Press twice - repeat all tracks in sequence
- ⑫ SLEEP: setting the sleep timer
- ⑬ MUTE: mute the Volume
- ⑭ ▶▶: next track / scroll forward in USB / SD / Bluetooth mode
- ⑮ ▶||: play / pause in USB / SD / Bluetooth mode
- ⑯ VOL +/-: master volume adjustment
- ⑰ RESET: reset settings

## 5. CONNECTION AND OPERATION

### Connection

Install the mounting feet from the kit for better speaker stability. Connect the passive speaker to the active speaker by connecting the speaker cable to connector ⑥ and connect the speaker system to a 230V / 50Hz power supply using the built-in power cord. In the case of a wired connection to a signal source, first connect the signal source, then turn on the speaker system with the power switch.



### Bluetooth mode

- Switch the unit to Bluetooth mode using the Input button on the control panel or remote control, briefly pressing until bt appears. The device enters the search mode.
- On the signal source (phone, tablet, etc.), you need to select the search mode for Bluetooth devices. The screen will display the name of the REAL-EL S-2070 which you want to establish a connection with. If the Bluetooth version of the signal source is below 2.0, you must enter the password 0000.

### Player Mode

- Insert a USB flash drive into the corresponding slot, the audio track will be played automatically. In the playback mode, briefly press the "▶▶" or "◀◀" button to select the desired tracks.
- Press the "▶||" button to play or pause.

#### Note:

The USB connector is for connecting USB flash memory sticks only. Do not use this connector to charge other devices - this may cause the speaker system damage. It is recommended to use USB flash or memory cards smaller than 8 GB for faster information reading. It is recommended to use more than 512 MB for SD card. The "OFF / ON" Power button must be turned off if the system is not used for a long time.

**KARAOKE mode**

To start using, you need to connect a microphone to the jack, adjust the volume. The karaoke module is activated automatically with sound sources. Use a dynamic microphone with a 1/4 " (6.35 mm) plug as the karaoke microphone.

**AUX mode**

- Press INPUT button on the front panel of the subwoofer or INPUT button on the remote control to switch to the AUX mode. The display will show AUX inscription.

**6. SPECIFICATION**

Parameter	Value
Output power (RMS)	150 (2 × 75) W
Frequency range	20-20000 Hz
Speaker diameter:	
tweeter	2 x Ø 25 mm (1")
middle range	6 x Ø101 mm (4")
woofer	2 x Ø 250 mm (10")
Connection types	Bluetooth / USB / SD / AUX / RCA / Optical / Coaxial / MIC 1/4" (6.35 mm)
Bluetooth	EDR + V 5.0
Bluetooth operation distance	up to 10 m
Voltage supply	~ 230/50 V/Hz
Case material	wooden (MDF)
Dimensions of one speaker unit	160 x 950 x 330 mm
Weight	30.2 kg

*Notes:*

- *Technical specifications given in this table are supplemental information and cannot give occasion to claims.*
- *Technical specifications and package contents are subject to change without notice due to the improvement of REAL-EL production.*



Manufacturer: ENEL GROUP OU, Harju maakond, Rae vald, Jüri alevik, Aruküla tee 55a, 75301, Estonia.  
® Registered Trademark of ENEL GROUP OU. Estonia.